

# Design and Development turning ideas into reality

At Tresch + Kieliger, we create dependable solutions for our clients using both creativity and intelligence. With many years of experience, we have the know-how needed to tackle any project. Our goal is to not just meet, but exceed expectations, taking on even the toughest challenges.

## Preliminary Study

Our process begins with precise functional and requirement specifications, ensuring a solid foundation for your project.

If needed, we conduct thorough feasibility studies, providing insights that guide informed decision-making.

Next, we define your product with clarity, aligning every aspect with your vision. By applying strategic project scheduling we ensure a seamless and efficient development process, empowering us to meet milestones confidently.

## Conception

Guided by diverse methodologies such as VDI 2221, Design Thinking, and others, we cultivate innovation through solution concepts.

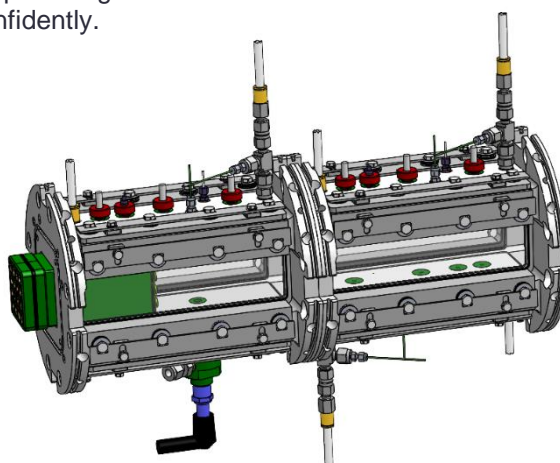
This phase also involves creative idea gathering with different focus groups, crafting functional models, conducting thorough risk analysis, and making final variant decisions.

We bring ideas to life with a comprehensive and innovative approach.

## Elaboration

Our elaboration phase ensures a smooth transition from concept to production readiness. This includes meticulous product development, detailed design, and precise component dimensioning. We generate comprehensive production documents and drawings, calculate product costs, and provide detailed project documentation.

Additionally, our expertise extends to the seamless migration of CAD data, crafting user-friendly operating instructions, and creating deliberate inspection plans. Rely on Tresch + Kieliger's expertise to fully realize your vision.



\* further CAD-software on request