

Resilient and Reliable

The powerful instrumentation feedthrough

Upgrade your pressure and temperature measuring systems with our innovative Thermocouple and Pressure Line Feedthrough TED. Designed to withstand high temperatures and pressures, TED offers reliable performance and easy installation for various industrial applications.

Superior Performance in Extreme Conditions

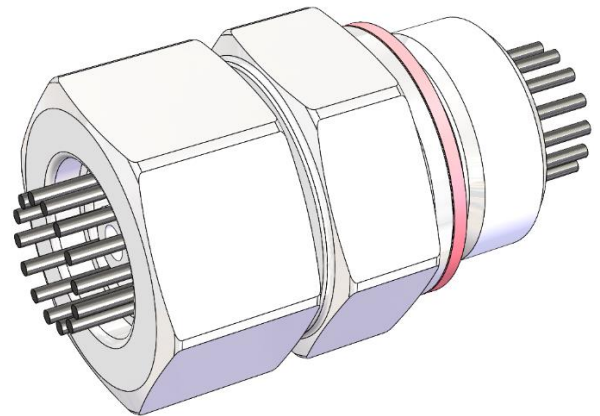
Our instrumentation feedthrough is engineered to give you accurate measurements even in the most demanding environments.

- Operating Temperature max. 600°C
- Operating Pressure max. 40 bar

Versatile Compatibility and Ease of Installation

TED simplifies installation with its flexibility and ease of use. Choose between a screw-in fitting or a direct installation kit for added convenience. It allows for combined feed-through of pressure and temperature measuring lines and a high number of feedthroughs for enhanced versatility.

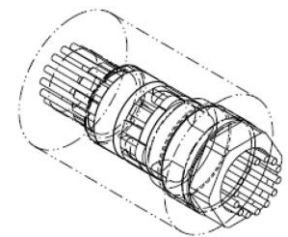
- Cable diameter up to 2 mm
- N° feedthroughs = 14
- N° gaskets per feedthrough = 10



Customizable and Hassle-Free Maintenance

Tailored to meet customer-specific requirements and dimensions, we ensure a perfect fit for your system. The special Hardalloy coating prevents wear, enhancing durability and longevity. Enjoy a hassle-free installation process as no special tools are required, coupled with easy handling for seamless operation.

See for yourself <https://youtu.be/WhCvE2phlcY>



Technical Data

Thread	n° feedthroughs	Description	Product n°
G 1	14x1 – 2mm	IFT 14 x Ø 0-2	TKE 101 001
G ¾	10x1 – 2mm	IFT 10 x Ø 0-2	TKE 101 002
G ½			TKE 101 003
M30x1.5	14x1 – 2mm	IFT 14 x Ø 0-2 C	TKE 101 004
NPT ¾	10x1 – 2mm		TKE 101 005
NPT ½			TKE 101 006
NPT ⅜			TKE 101 007